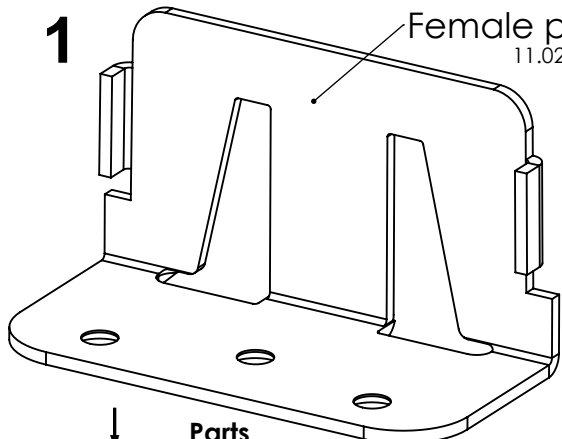
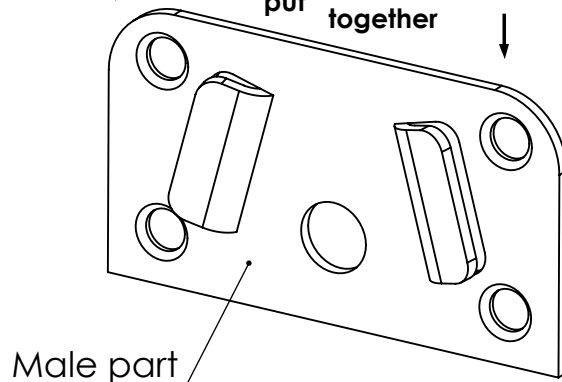


1 Female part
11.02.040



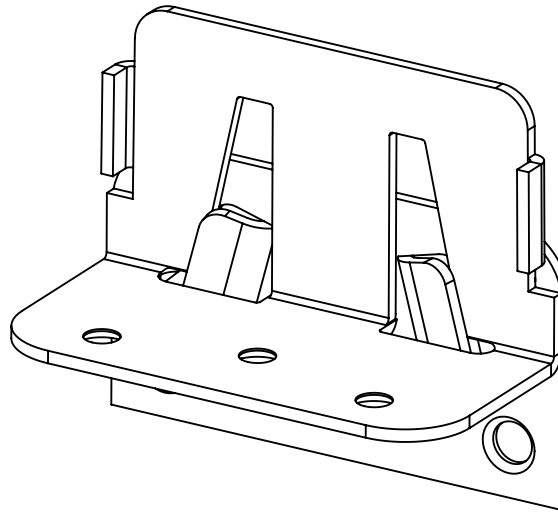
Parts put together



Male part
11.02.035

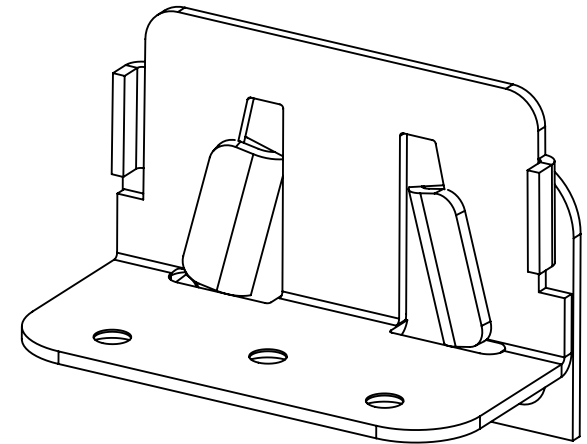
2

At this point the assembly has to go easy



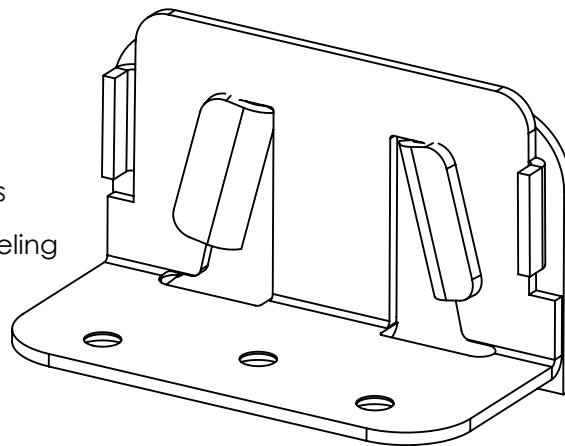
3

At this point the assembly has to go tight. Force has to be used from this point on.



4

The last assembly of the brackets has to be done with moderate force. This must be done by hand with a feeling of the items in grip.



FINISH:

YZP

DO NOT SCALE DRAWING

REVISION **00**

SISO Denmark

NAME	DATE	DEBUR AND BREAK SHARP EDGES
as	30-10-2012	

TITLE:

Assembly of bed support brackets
Model no. 3892

MATERIAL:

Steel

DWG NO. **11.02.035/040-A**

A4

WEIGHT: --

SCALE: 1:1

SHEET 1 OF 1